

FEATURES

- Small size, Flexible and Multiform Structure
- Wideband Frequency Range, High Reliability
- Operating Temperature range: -55~+85°C
- Field Removable SMA Connector, Drop-IN Type

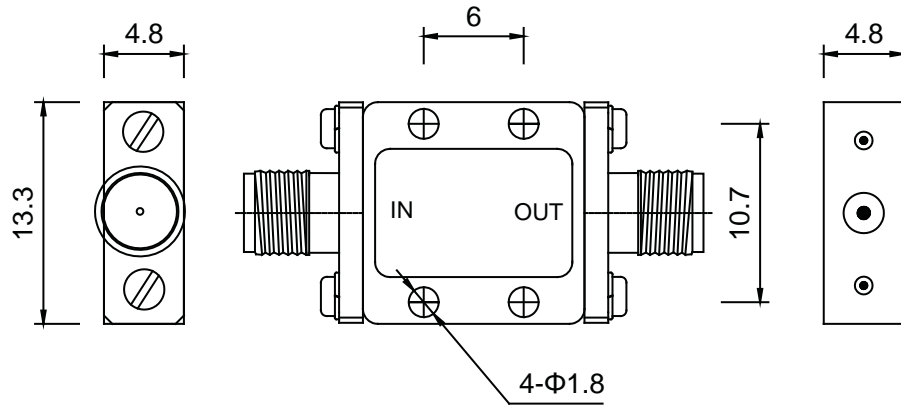


APPLICATIONS

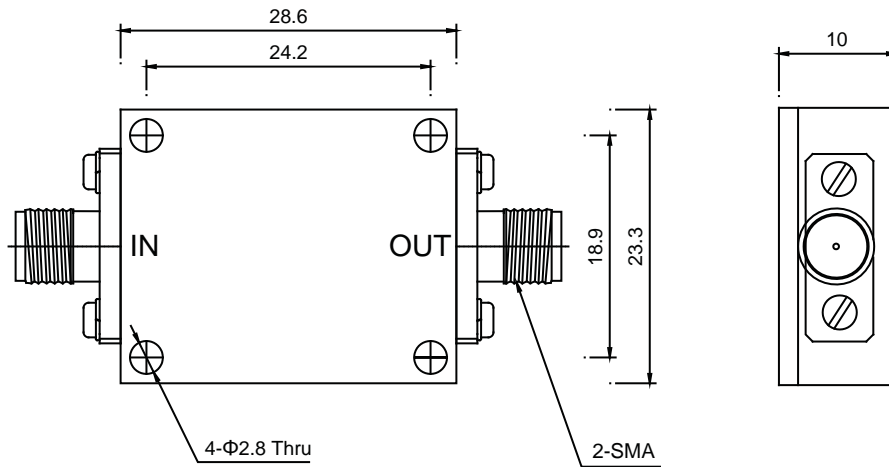
- Communication System
- Test Equipment
- Radar & Warfars System

SPECIFICATIONS@25°C:

Part Number	Input Frequency (GHz)	Output Frequency (GHz)	Input Power (dBm.Typ)	Insertion Loss (dB.Max)	VSWR (Max)	Harmonic Rejection (dBc.Max)	Multiply Factor	Case Type
MFM010020M2L	1-2	2-4	13	10	1.5	25	2	FM1
MFM020040M2L	2-4	4-8	13	10	1.5	25	2	FM1
MFM020040M2M	2-4	4-8	13	10	1.5	25	2	FM2
MFM020090M2L	2-9	4-18	13	11	2	25	2	FM1
MFM020100M2M	2-10	4-20	13	11.5	2	25	2	FM2
MFM030110M2L	3-11	6-22	13	11	2.5	25	2	FM1
MFM040080M2L	4-8	8-16	13	10	2	25	2	FM1
MFM040080M2M	4-8	8-16	13	10	2	25	2	FM2
MFM090145M1M	9-14.5	18-29	16	10	2	20	1	FM2



FM1



FM2